

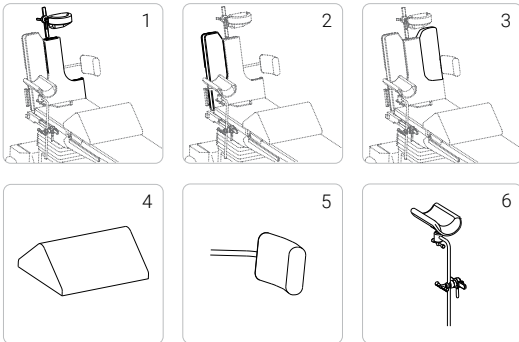


# KPP-35

SET OF ACCESSORIES FOR SURGERIES ON SHOULDER JOINT



LEARN MORE



KPP-35 set includes the following:

- |   |       |
|---|-------|
| 1. Dorsal section                         | 1 pc. |
| 2. Right shoulder section                 | 1 pc. |
| 3. Left shoulder section                  | 1 pc. |
| 4. Pad                                    | 1 pc. |
| 5. Lateral support                        | 1 pc. |
| 6. Leg support with radial serrated clamp | 1 pc. |