



LEARN MORE

- The unique all-in-one system that meets all up-to-date requirements and offers infinite possibilities, thus making the entire process in the surgical suite optimal
- It is a combination system that includes an operating table and a patient transporter
- Preserves a sterile environment and increases the patient capacity of the surgical suite
- No step of transferring the patient to the patient transporters, thereby reducing the risk of post-operative injury
- Three types of table tops allow all types of surgical procedures to be performed on the table
- Programmable table top positions

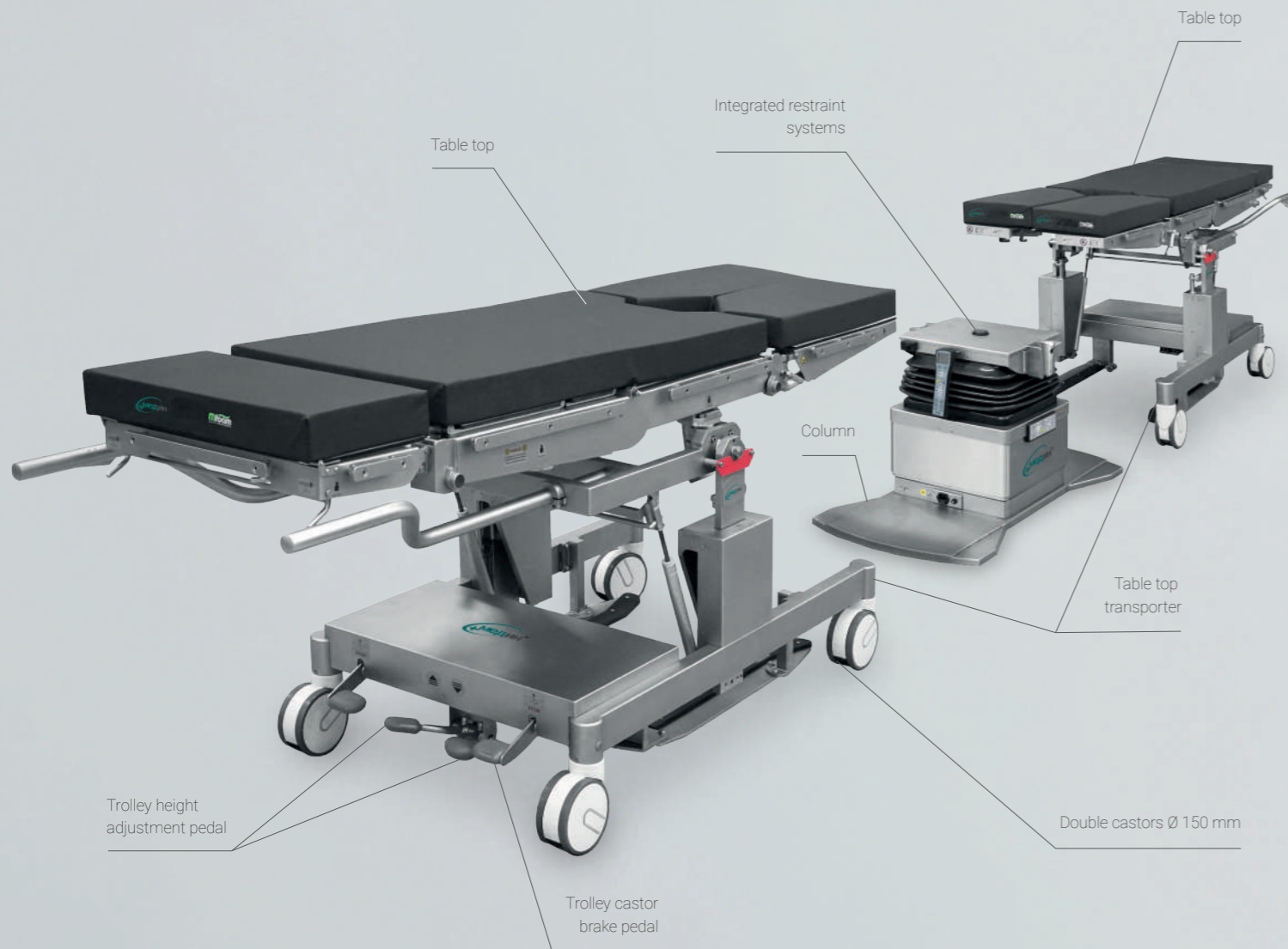


Table top transport trolleys



Table top transport trolley with lift

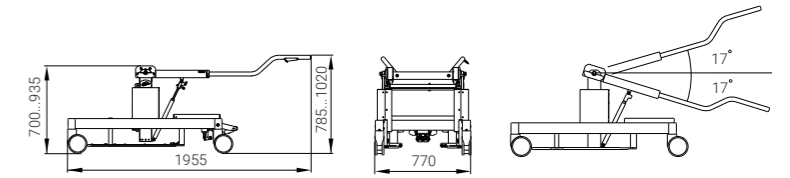
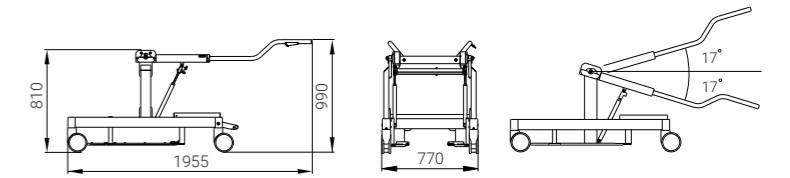


Table top transport trolleys



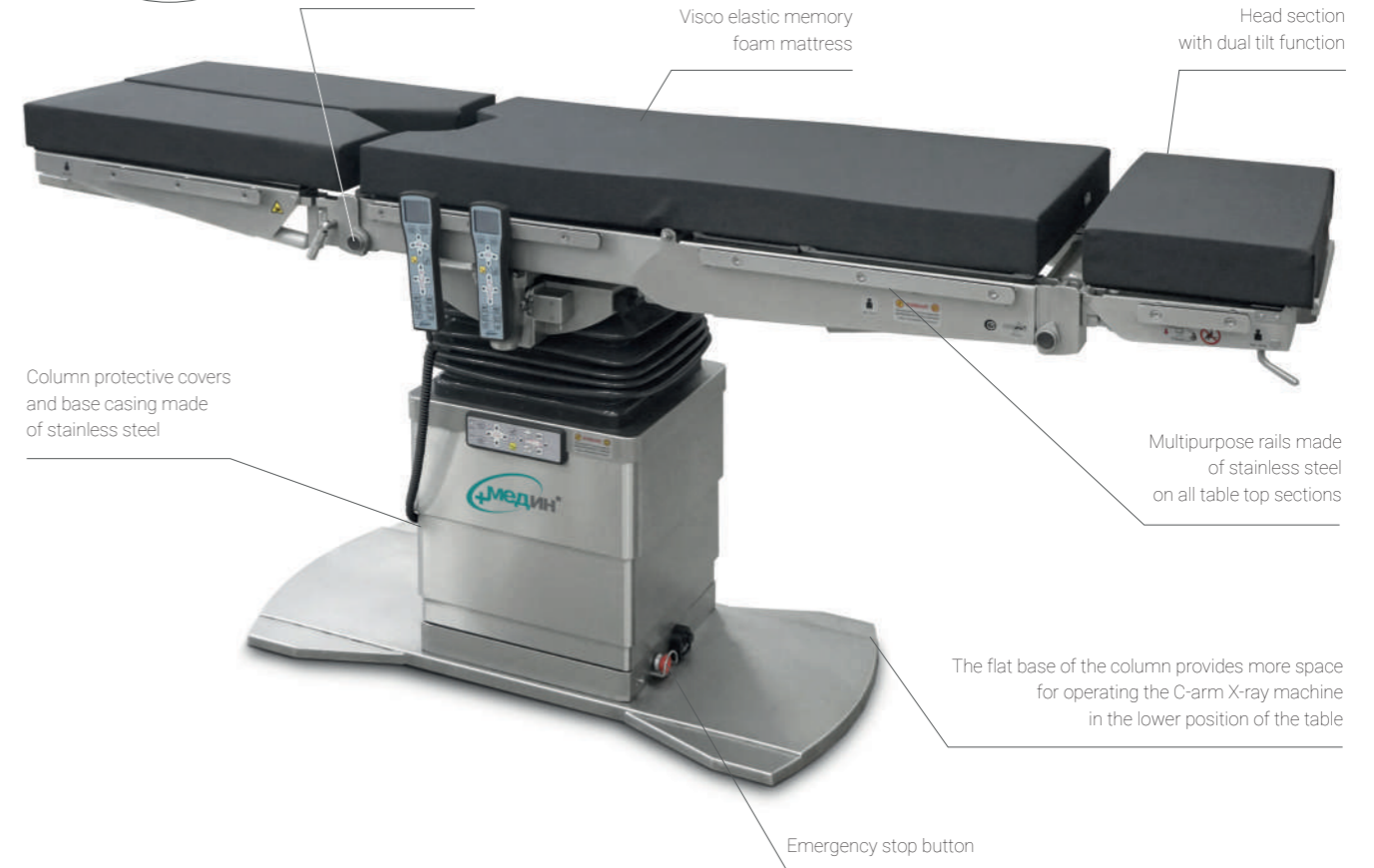
Quick fixation of removable sections



Visco elastic memory foam mattress



Head section with dual tilt function



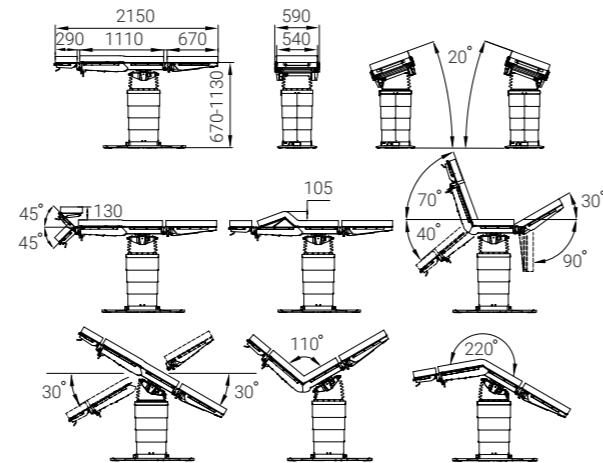
Interchangeable table tops

- The OM-SIGMA table can be used with three types of table tops: universal, special, and diagnostic
- Three types of table tops allow the operating table systems to be used for different surgical specialties

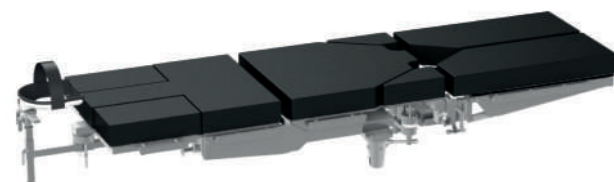
Universal table top



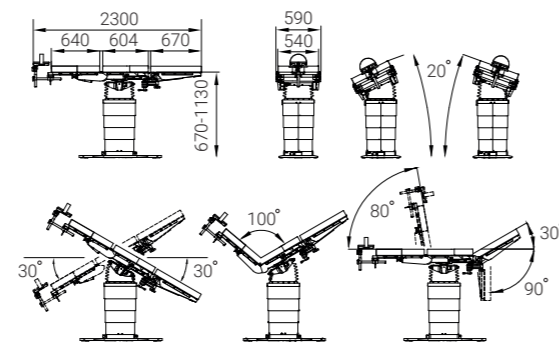
It is intended for all types of surgical procedures. The table top is X-ray-transparent. The table top has side rails for attaching accessories.



Special table top



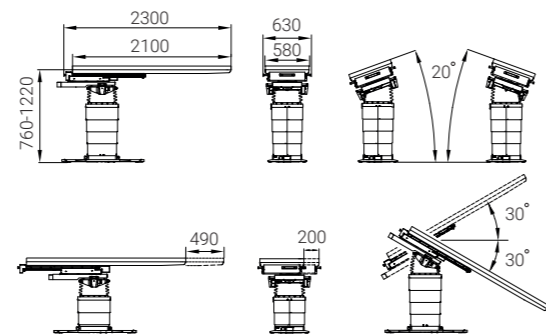
It is intended for performing traumatological and orthopedic surgical interventions on the lower limbs and shoulder joint. The surgeon has a comfortable working position and good access to the operating field. Table top sections can be detached while the patient is on the table.



Diagnostic table top



It is made of carbon fiber. It is designed for a wide range of interventional diagnostic and therapeutic radiosurgical procedures using the C-arm X-ray machine, as well as part of the angiographic unit.



Operating table column

- The guide column includes an electrohydraulic drive that controls all table top movements: lifting-lowering, lateral left-right tilting, Trendelenburg and reverse Trendelenburg positioning
- The batteries are inside the column
- The main positions of the table can be controlled remotely using a wireless remote control or a backup control panel on the column



Column (moved by the transporter)



Mobile column



Stationary column

Column type	Table top type	Operating table system with interchangeable table tops	Safe working load	Maximum table load
Column (moved by the transporter)	universal	<a href="#">OM-SIGMA-06</a>	250 kg	450 kg
	special	<a href="#">OM-SIGMA-07</a>	250 kg	450 kg
	diagnostic	<a href="#">OM-SIGMA-08</a>	190 kg	250 kg
Mobile	universal	<a href="#">OM-SIGMA-09</a>	250 kg	450 kg
	special	<a href="#">OM-SIGMA-10</a>	250 kg	450 kg
	diagnostic	<a href="#">OM-SIGMA-11</a>	190 kg	250 kg
Stationary	universal	<a href="#">OM-SIGMA-12</a>	250 kg	450 kg
	special	<a href="#">OM-SIGMA-13</a>	250 kg	450 kg
	diagnostic	<a href="#">OM-SIGMA-14</a>	190 kg	250 kg

Used with the following KPP sets:

for the universal table top



for the special table top



for the diagnostic table top

