



UNIVERSAL OPERATING TABLE OUK-02



OUK-02

UNIVERSAL OPERATING TABLE

OUK-02 is a universal, easy to operate general surgery table. It can be used in medical centres and hospitals, both for general surgery operations and for specialised operations with the use of additional sets of accessories produced by the company.

The main positions of the table are controlled by means of a hand wired console. The inclination of the dorsal, leg and head sections is adjusted mechanically by means of gas springs. The integrated wheels facilitate moving the table inside the operating room.

Universal operating table with electromechanical adjustment;
Combined with sets of additional accessories allows full range of surgery operations;
Used with the following KPP sets:

Features:

- All open metal surfaces and additional accessories are made of stainless steel
- Table base is protected by extra proof composite base cover and column protected by stainless steel casing
- Mobile base with castors and central lock
- Built-In rechargeable batteries
- Removable, antistatic, seamless, molded polyurethane foam mattresses made with antibacterial ASP technology
- Two modifications of the table panel - 5 sections or 6 sections
- X-ray translucent table top
- C-Arm compatible
- Longitudinal shift (optional) 320 mm
- Dorsal section bending (optional) 105 mm
- Override Panel (remote) on the column (optional)
- Input of the X-ray film cartridge from head or leg sections
- Head and leg sections are adjustable
- Compatible with wide variety of additional accessories.

Adjustments:

- Lifting/lowering of the table top - electromechanical
- Trendelenburg/reverse Trendelenburg - electromechanical
- Lateral tilt - electromechanical
- Dorsal section tilt - gas springs
- Longitudinal shift (optional) - mechanical
- Dorsal section bending (optional) - mechanical
- Central brakes control - foot pedal
- Leg and head sections - gas springs
- Table top return to the ZERO POSITION by remote control

Additional options:

- Dorsal section bending;
- Longitudinal shift;
- Ring-shaped head cushion 205 mm;
- Lumbar roll cushion.

OUK-02

SPECIFICATIONS

- Safe working load of the table (including accessories), kg
 - no restrictions on table functions **220**
 - with restricted table functions* **270**
- Table height (without pads):
 - in the lowest position, mm, max **660**
 - in the highest position, min **1080**
- Table top length, mm, **2100 ± 50**
- Table top width, mm, min **500**
- Table width (including rails), mm, min **550**
- Rail section for mounting removable accessories, mm **25x10**
- Number of table sections, pcs, min **5**
- Lift, longitudinal tilt and lateral tilt actuator **Electromechanical**
- Dorsal, leg and head section tilt actuator **Gas springs**
- Trendelenburg tilt of the table top, NLT **30°±2°**
- Reverse Trendelenburg tilt of the table top, NLT **30°±2°**
- Lateral tilt of the table top, NLT:
 - right **20°**
 - left **20°**
- Head section tilt, NLT:
 - up **30°**
 - down **35°**
- Dorsal section tilt:
 - upwards **75°±2°**
 - down **45°±2°**
- Leg section tilt, NLT:
 - up **30°**
 - down (at the topmost position of the table top) **90°**
- Maximum head section extension, mm, NLT **50**
- Head and leg sections of the table top **Removable**
- Pad lift at dorsal section bend, mm, minimum (optional) **105**
- A longitudinal shift of the table top, mm, NLT (optional) **320**

- Table weight with pads (without a set of removable accessories), kg, NMT **220**
- Supply voltage of the table~**230V, 50Hz**
- Powered by built-in rechargeable batteries **24V**
- Battery charging time **24 hours**
- Mains battery charging~**230V, 50Hz**
- Power consumption, NMT **400 VA**

The table **DOES NOT CONTAIN** any precious metals and their alloys

*Without using:

- longitudinal and lateral tilts of the table top;
- tilts of the removable table top sections.

* With a max longitudinal shift of the table top towards the legs.

* Taking into account the patient's weight and accessories.

OUK-02 UNIVERSAL OPERATING TABLE



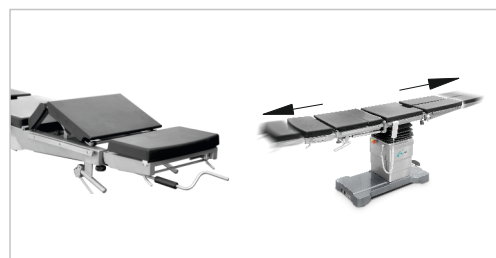
OK-BETA



Dorsal section bending
(OK-BETA-01)



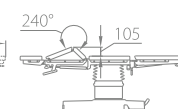
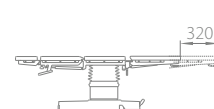
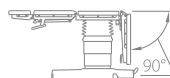
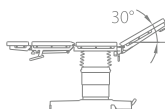
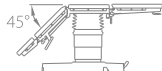
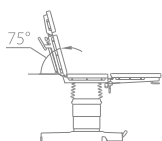
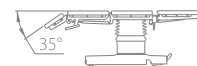
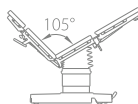
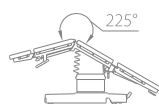
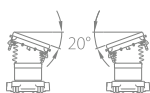
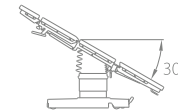
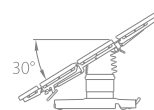
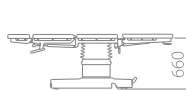
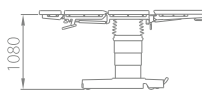
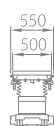
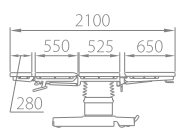
Table top longitudinal
slide (OK-BETA-02)



Dorsal section bending and table top longitudinal
slide (OK-BETA-03)

- molded antistatic cushions with antibacterial coating
- extensible supports to fix the table
- mechanical table top longitudinal slide
- table top return to the ZERO POSITION

- emergency stop function
- support castor diameter – 100 mm
- safe working load – 220 kg
- set of additional accessories for general surgery
(supplied as part of operating table)



USED WITH THE FOLLOWING KPP SETS:

01	02	03	04	05	06	07	08	09	10
11	12	13	14	15	16	17	18		
21	22			25	26	27	28	29	30
31	32	33	34	35	36	37	38	39	40
41	42	43							

OUK-02

UNIVERSAL OPERATING TABLE

ACCESSORY KIT FOR GENERAL SURGERY

The kit is designed to place and fix the human body organs, as well as to place items necessary for surgery, examinations, and procedures. The kit is used for general surgery and anesthesiology. The main structural material of the kit is stainless steel.

DESCRIPTION AND OPERATION OF COMPONENT PARTS

1. **Anesthesia screen** (a screen for anesthesia) (Figure 1). Made of stainless steel, adjustable in height. For fastening to the guide rails of the table, it is equipped with a radial clamp 201.105.

2. **Infusion pole** (infusion stand) (Figure 2). Made of stainless steel, adjustable in height, equipped with two hooks 1 and two standard bottle holders 4. Equipped with a built-in mounting clamp 5 for mounting on the guide rails of the table.

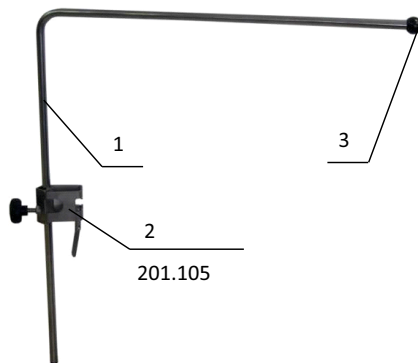


Figure 1. Anesthesia screen.

1 – Anesthesia screen, 2 – Clamp, 3 – Tube tip.

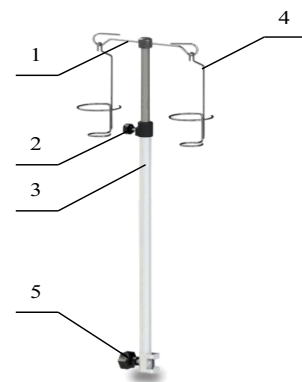


Figure 2. Infusion pole.

1 – Hooks, 2 – Lock,
3 – Pole, 4 – Bottle holder, 5 – Clamp.

The pole height is adjusted manually using lock 2 (Figure 2). Adjust the height of the pole, and then clamp the lock in the adjusted position.

3. **Injection plate** (arm support) (Figure 3). Profiled bed 1 is made of molded urethane foam, and stainless mounting elements. It is height-adjustable and rotates around a vertical axis. Equipped with a clip 201.105 and a restraint strap.

4. **Patient restraint strap** (waist strap) (Figure 4). Soft synthetic strap 100 mm wide with fixing hooks, adjustable in length.

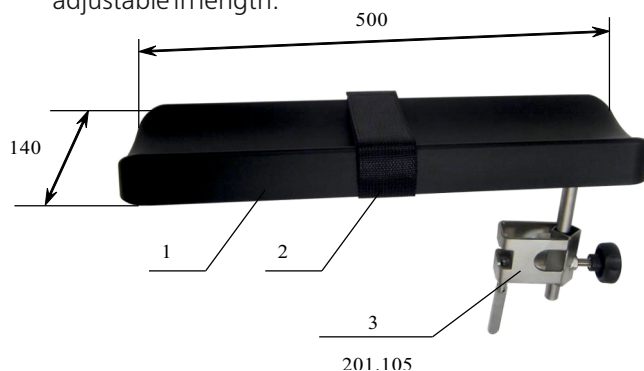


Figure 3. Injection plate.

1 – Bed, 2 – Restraint strap, 3 – Clip.

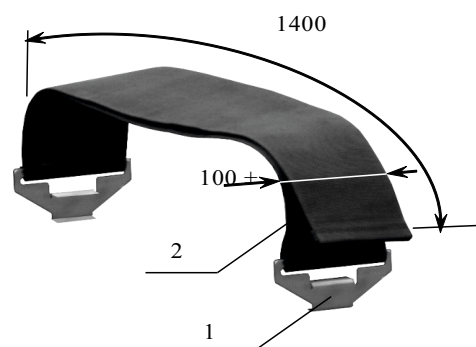


Figure 4. Patient restraint strap.

1 – Bracket, 2 – Strap.

OUK-02

UNIVERSAL OPERATING TABLE

ACCESSORY KIT FOR GENERAL SURGERY

5. **Arm holder** (arm retainer) (Figure 5). 100 mm wide soft synthetic strap with a clamp and stainless steel fastening element to the table rail, adjustable position along the table panel.

6. **X-ray cassette holder** (Figure 6). Metal spatula with a lock and a long folding handle for insertion (installation) of the R-cassette under the X-ray-transparent table top in the longitudinal direction.

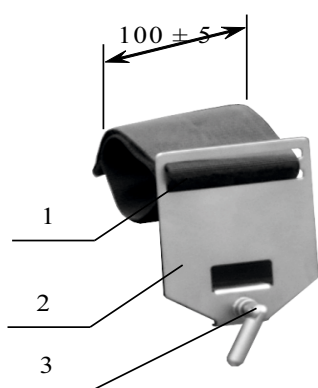


Figure 5. Arm holder.
1 – Strap, 2 – Holder, 3 – Screw.

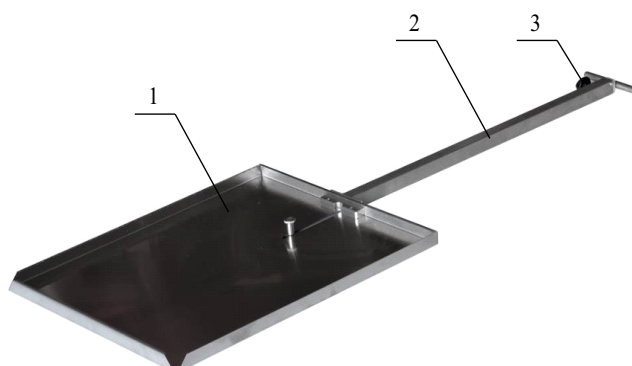


Figure 6. X-ray cassette holder.
1 – Tray, 2 – Cassette holder tube, 3 – Lock.

When using the X-ray cassette holder, be careful when tilting the dorsal and leg sections. The holder can be damaged if it is in the areas where the dorsal section meets the hip section and the hip section meets the leg sections.

7. **Lateral support** (Figure 7). Profiled 105x205 (mm) molded urethane foam pad 3 with stainless Z-bar support and fasteners for mounting on the table guide rail. Complete with clamp 201.102. The position is adjusted along the table top, in height and depth, and rotates around two vertical axes of the Z-shaped support.

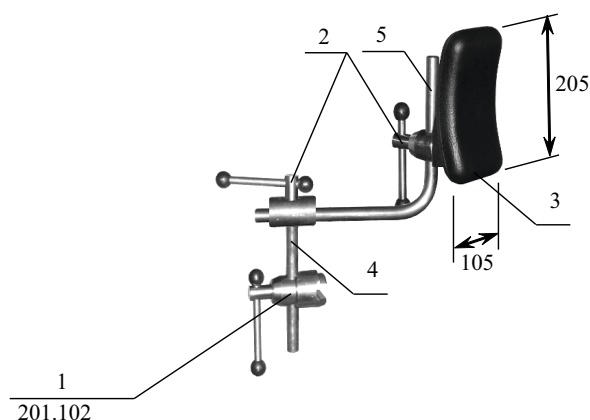


Figure 7. Side support.
1 – Clamp, 2 – Lock, 3 – Lateral support, 4 – Support, 5 – Rod.