



KPP-04

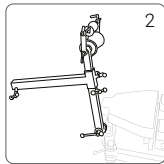
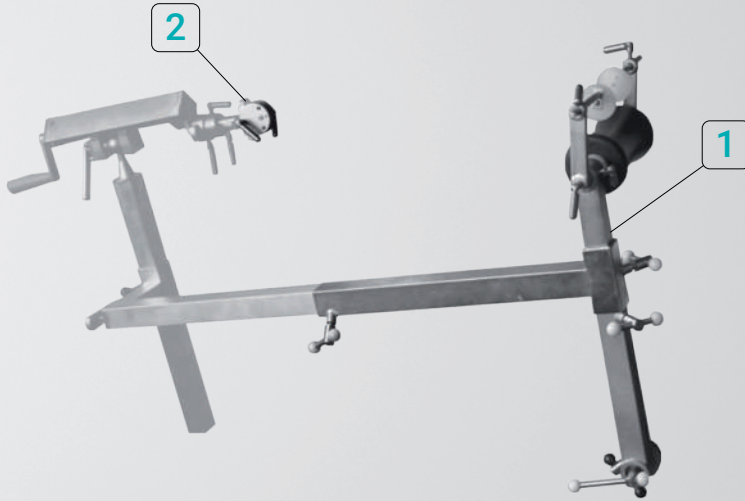
SET OF ADDITIONAL ACCESSORIES FOR ORTHOPEDICS AND TRAUMATOLOGY SURGERIES ON LOWER LEG AND KNEE



LEARN MORE

Addition to the basic set.

Used with KPP-02 set only



KPP-04 set includes the following:

1. Universal swivel popliteal support with hinged stabilization of joint
2. Tension bracket holder

1 pc.

1 pcs.

