



OPERATING TABLE OK-GAMMA



OK-GAMMA

OPERATING TABLE

OK-GAMMA is operating table for general surgery with mechanohydraulic drives. It's the best solution for ordinary surgical manipulations. Operating table OK-Gamma is intended to be used in operating blocks, operating rooms and operating theatres in medical facilities exclusively in the field of human medicine to provide positioning and support of patients during general surgery procedures conducted by qualified medical professionals. Together with sets of additional accessories can be used in special areas of surgery (gynecology, otolaryngology and ophthalmology).

Features:

- Protective column covering, all open metal surfaces and additional accessories are made of stainless steel
- Table base protected by an extra proof composite base cover
- Table base has 2 adjustable supports and 2 castors 50 mm
- Using seamless technology, molded removable mattresses made from integral polyurethane foam with an antistatic effect, and an innovative antimicrobial treatment (Ultra Fresh)
- 5 sections table top (incl. split leg section)
- Dorsal section bending (for OK-GAMMA 01) - 105 mm
- X-ray translucent table top
- C-arm compatible
- Input of the X-ray film cassette from head sections
- Head and split leg sections adjusted by clamps
- Can be used with wide range of additional accessories

Adjustments:

- Lifting/lowering of the table top – foot-operated hydraulic jack
- Longitudinal tilts - mechanical
- Lateral tilts (OK-GAMMA 01, 03) - mechanical
- Dorsal section adjustment - gas spring
- Dorsal section bending (OK-GAMMA 01) - mechanical
- Leg and head section tilts - locking clamps

OK-GAMMA models:

- OK-GAMMA 03 – with lateral tilts
- OK-GAMMA 02 – basic functions
- OK-GAMMA 01 – with lateral tilts and dorsal section bending

Equipped with the set of accessories for general surgery (KPP-01).

Warranty 24 months.

OK-GAMMA

SPECIFICATIONS

- Safe working load of the table (including accessories), kg
 - without limited table functions **160**
 - with restricted table functions* **250**
- Height of the table (without mattresses):
 - Max lowest position, mm **760**
 - Max highest position, min **1060**
- Table top length, mm **1900**
- Table top width, mm **500**
- Table top width (including rails), mm **550**
- Side rails for mounting removable accessories, mm **25x10**
- Number of table sections, pcs, not less **5**
- Table top lifting/lowering drives **Hydraulic**
- Table top rise per stroke, mm **8**
- Longitudinal tilt (Trendelenburg/reverse-Trendelenburg)
Mechanical
- Lateral tilt & two-part back section elevation **Mechanical**
- Back section tilt **Gas springs**
- Trendelenburg tilt of the table top **30°**
- Reverse-Trendelenburg tilt of the table top **30°**
- Lateral tilt of the table top:
 - right **20°**
 - left **20°**
- Head section tilt, not less:
 - up **45°**
 - down **90°**
- Back section tilt:
 - up **75°**
 - down **45°**
- Leg section tilt:
 - up **30°**
 - down (table top in upper position) **90°**
- Head and leg sections **Detachable**
- Head section position adjustment in longitudinal direction, mm **100**

- Castors size **50 mm**
- Table weight with mattresses without accessories, kg **150**

*Without use of:

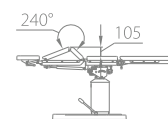
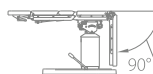
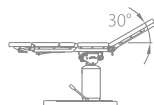
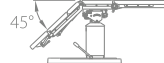
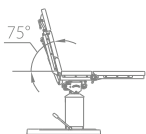
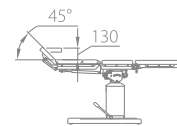
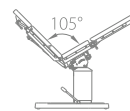
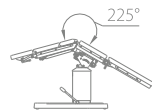
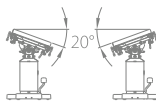
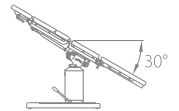
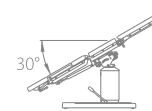
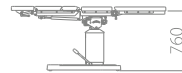
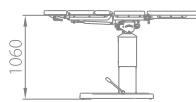
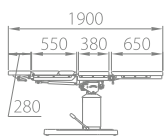
- longitudinal and lateral tilts of the table top
- tilts of removable table sections

OK-GAMMA OPERATING TABLE



Dorsal section mechanical bending (optional)

- foot-operated hydraulic drive for height adjustment
- table top control by the handles from the table lateral sides
- molded antistatic cushions with antibacterial coating
- set of additional accessories for general surgery (supplied as part of operating table)
- extensible supports to fix the table
- support castor diameter – 50 mm
- safe working load – 160 kg



USED WITH THE FOLLOWING KPP SETS:

01				05		07	08		10
	12		14	15	16	17	18		
21				25	26	27		29	30
31	32	33	34	35	36	37	38	39	40
41	42	43							

OK-GAMMA OPERATING TABLE

ACCESSORY KIT FOR GENERAL SURGERY

The kit is designed to place and fix the human body organs, as well as to place items necessary for surgery, examinations, and procedures. The kit is used for general surgery and anesthesiology. The main structural material of the kit is stainless steel.

DESCRIPTION AND OPERATION OF COMPONENT PARTS

1. Anesthesia screen (a screen for anesthesia) (Figure 1). Made of stainless steel, adjustable in height. For fastening to the guide rails of the table, it is equipped with a radial clamp.

2. Infusion pole (infusion stand) (Figure 2). Made of stainless steel, adjustable in height, equipped with two hooks 1 and two standard bottle holders 4. Equipped with a built-in mounting clamp 5 for mounting on the guide rails of the table.

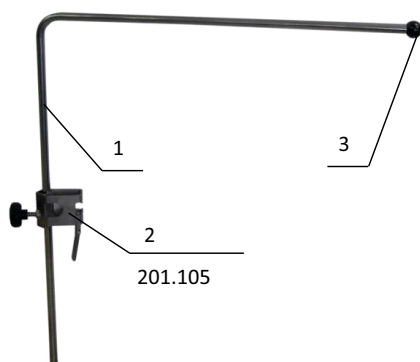


Figure 1. Anesthesia screen.

1 – Anesthesia screen, 2 – Clamp, 3 – Tube tip.

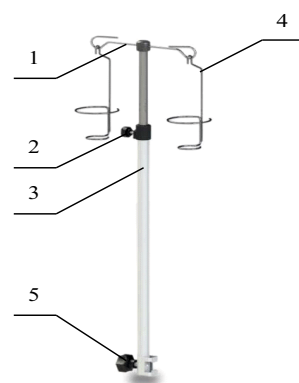


Figure 2. Infusion pole.

1 – Hooks, 2 – Lock,
3 – Pole, 4 – Bottle holder, 5 – Clamp.

The pole height is adjusted manually using lock 2 (Figure 2). Adjust the height of the pole, and then clamp the lock in the adjusted position.

3. Injection plate (arm support) (Figure 3). Profiled bed 1 is made of molded urethane foam, and stainless mounting elements. It is height-adjustable and rotates around a vertical axis. Equipped with a clip and a restraint strap. The maximum permissible load is 15 kg.

4. Patient restraint strap (waist strap) (Figure 4). Soft synthetic strap 100 mm wide with fixing hooks, adjustable in length.

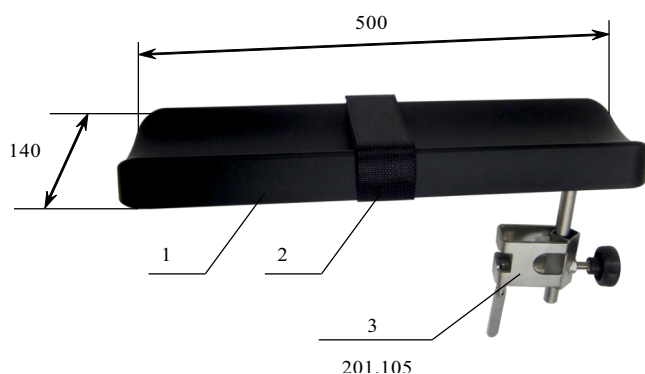


Figure 3. Injection plate.

1 – Bed, 2 – Restraint strap, 3 – Clip.

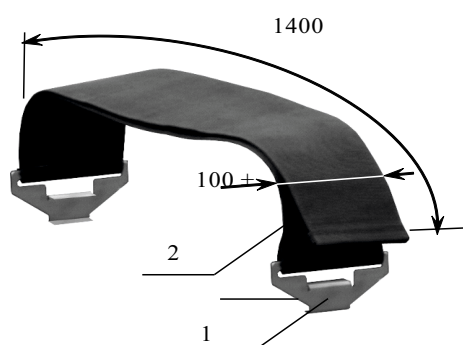


Figure 4. Patient restraint strap.

1 – Bracket, 2 – Strap.

OK-GAMMA OPERATING TABLE

ACCESSORY KIT FOR GENERAL SURGERY

5. Arm holder (arm retainer) (Figure 5). 100 mm wide soft synthetic strap with a clamp and stainless steel fastening element to the table rail, adjustable position along the table panel.

6. X-ray cassette holder (Figure 6). Metal spatula with a lock and a long folding handle for insertion (installation) of the R-cassette under the X-ray-transparent table top in the longitudinal direction.

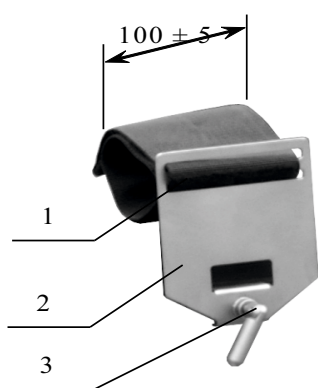


Figure 5. Arm holder.
1 – Strap, 2 – Holder, 3 – Screw.

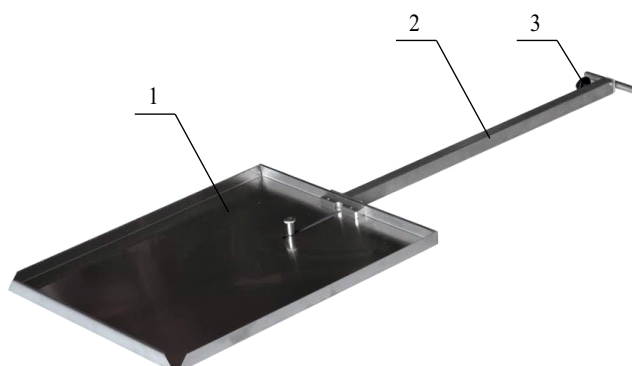


Figure 6. X-ray cassette holder.
1 – Tray, 2 – Cassette holder tube, 3 – Lock.

When using the X-ray cassette holder, be careful when tilting the dorsal and leg sections. The holder can be damaged if it is in the areas where the dorsal section meets the hip section and the hip section meets the leg sections.

7. Lateral support (Figure 7). Profiled 105x205 (mm) molded urethane foam pad 3 with stainless Z-bar support and fasteners for mounting on the table guide rail. Complete with clamp. The position is adjusted along the table top, in height and depth, and rotates around two vertical axes of the Z-shaped support.

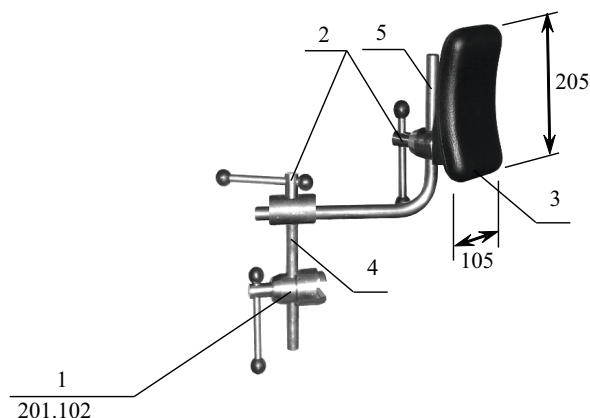


Figure 7. Side support.
1 – Clamp, 2 – Lock, 3 – Lateral support, 4 – Support, 5 – Rod.