



# GENERAL SURGERY OPERATING TABLE OM-DELTA



## OM-DELTA

### GENERAL SURGERY OPERATING TABLE

OM-DELTA is a multipurpose electro-hydraulic operating table intended for all types of surgeries.

OM-DELTA operating tables are optimally suited for modern medical centers and specialized clinics. The use of additional accessories produced by the manufacturer makes it possible to expand table functionality. The X-ray zone can be expanded by rearranging the head and leg sections.

Table top is adjusted with the help of the remote control. Table top "zero positioning" function with the possibility of an emergency stop. OM-DELTA has a renal roller, which is controlled by the remote control. Table top of OM-DELTA-02 has a dorsal section bending, which is controlled mechanically using a crank handle. Built-in castors make it possible to move the table freely inside the operating room.

#### Features:

- All open metal surfaces and additional accessories are made of stainless steel
- Table base and column are protected by stainless steel covers
- Molded protective cover of the adjustment mechanism
- Battery charge level indicator on the remote control
- Using seamless technology, molded removable mattresses made from integral polyurethane foam with an antistatic effect, and an innovative antimicrobial treatment (Ultra Fresh)
- Split, removable leg sections with rotation and tilt drive controlled by gas springs
- Head section with two tilts
- 6-section (OM-DELTA-01) and 7-section (OM-DELTA-02) table top
- Longitudinal shift up to 320 mm
- X-ray translucent table top
- C-arm compatible
- Input of the X-ray film cassette from head sections
- Can be used with wide range of additional accessories

#### Adjustments:

- Lifting/lowering of the table top – electro-hydraulic
- Longitudinal tilts – electro-hydraulic
- Lateral tilts – electro-hydraulic
- Dorsal section adjustment – electro-hydraulic
- Table base floor supports - electro-hydraulic
- Longitudinal shift – electro-mechanical
- Dorsal section bending (OM-DELTA-02) – mechanical
- Leg and head section tilts – gas spring
- Renal roller lifting - electro-hydraulic
- FLEX/REFLEX adjustment - electro-hydraulic
- Table top "zero positioning" function - electro-hydraulic

Equipped with the set of accessories for general surgery (KPP-01).

Warranty 24 months.

## OM-DELTA

### SPECIFICATIONS

- Safe working load of the table (including accessories), kg
  - no restrictions on table functions **250**
  - with restricted table functions\* **350**
- Table height (without pads):
  - in the lowest position, mm, not more **630**
  - in the highest position, min, not less **1080**
- Table top length, mm, not less **2100**
- Table top width, mm, not less **500**
- Table top width (including rails), mm, not less **550**
- Side rails for mounting removable accessories, mm **25x10**
- Number of table sections, pcs, not less **6**
- Lifting, longitudinal tilt, lateral tilts, back section drives, kidney bridge drive, drive of installation of the table on support **Electro-hydraulic**
- Longitudinal shift drive **Electromechanical**
- Leg and head section tilt drives **Gas springs**
- Trendelenburg tilt of the table top **30°**
- Reverse-Trendelenburg tilt of the table top **30°**
- Lateral tilt of the table top:
  - right **20°**
  - left **20°**
- Head section tilt:
  - up **30°**
  - down **35°**
- Back section tilt:
  - up **75°**
  - down **45°**
- Leg section tilt:
  - up **30°**
  - down (table top in upper position) **90°**
- Head and leg sections **Detachable**
- Head section position adjustment in longitudinal direction, mm, not less **50**
- Longitudinal shift of the table top, mm, not less **320**
- Two-part back section elevation (only for OM-Delta-02), mm, not less **105**
- Renal roller elevation, mm, not less **120**
- Table weight with pads (without a set of removable accessories), kg, not more **290**

\*Without use of:

- longitudinal movement of the table top;
- longitudinal and lateral tilts of the table top;
- tilts of removable table sections.

## OM-DELTA GENERAL SURGERY OPERATING TABLE



OM-DELTA-01

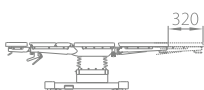
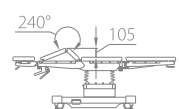
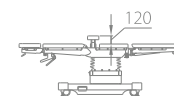
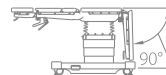
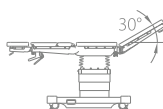
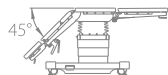
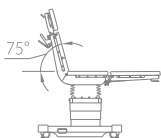
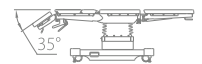
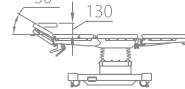
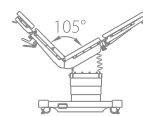
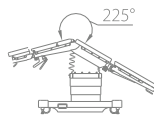
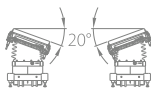
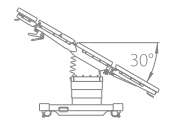
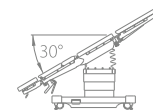
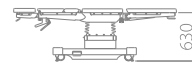
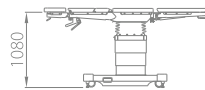
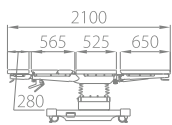


Dorsal section bending  
(OM-DELTA-02)



Electrical extensible supports to fix the table

- molded antistatic cushions with antibacterial coating
- electrical extensible supports to fix the table
- electrical table top longitudinal slide
- electrical renal roller
- table top return to the ZERO POSITION
- set of additional accessories for general surgery (supplied as part of operating table)
- electrical FLEX/REFLEX position setting
- programmable table top position
- emergency stop function
- support castor diameter – 100 mm
- safe working load – 250 kg



USED WITH THE FOLLOWING KPP SETS:

01	02	03	04	05	06	07	08	09	10
11	12	13		15	16	17	18		
	22			25	26	27	28	29	30
31	32	33	34	35	36	37	38	39	40
41	42	43							

## OM-DELTA

### GENERAL SURGERY OPERATING TABLE

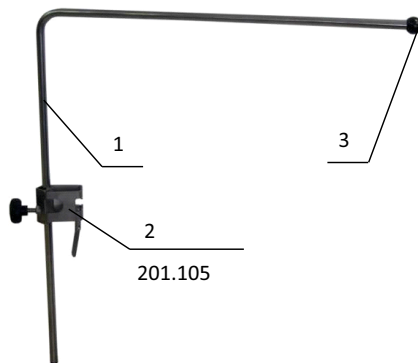
#### ACCESSORY KIT FOR GENERAL SURGERY

The kit is designed to place and fix the human body organs, as well as to place items necessary for surgery, examinations, and procedures. The kit is used for general surgery and anesthesiology. The main structural material of the kit is stainless steel.

#### DESCRIPTION AND OPERATION OF COMPONENT PARTS

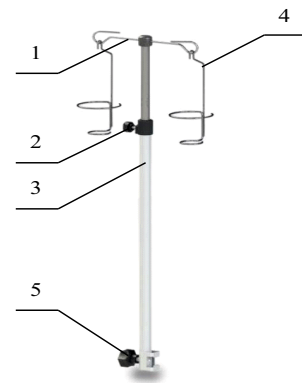
**1. Anesthesia screen** (a screen for anesthesia) (Figure 1). Made of stainless steel, adjustable in height. For fastening to the guide rails of the table, it is equipped with a radial clamp.

**2. Infusion pole** (infusion stand) (Figure 2). Made of stainless steel, adjustable in height, equipped with two hooks 1 and two standard bottle holders 4. Equipped with a built-in mounting clamp 5 for mounting on the guide rails of the table.



**Figure 1. Anesthesia screen.**

1 – Anesthesia screen, 2 – Clamp, 3 – Tube tip.



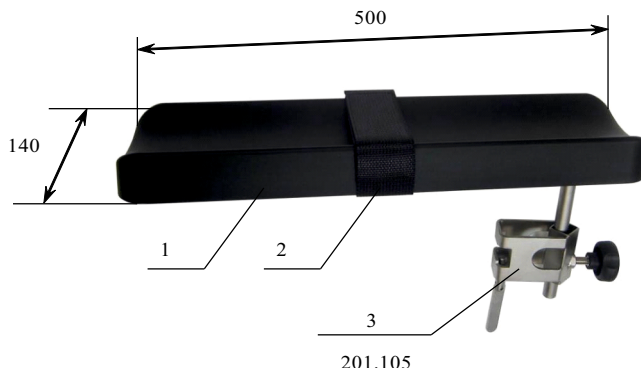
**Figure 2. Infusion pole.**

1 – Hooks, 2 – Lock, 3 – Pole, 4 – Bottle holder, 5 – Clamp.

The pole height is adjusted manually using lock 2 (Figure 2). Adjust the height of the pole, and then clamp the lock in the adjusted position.

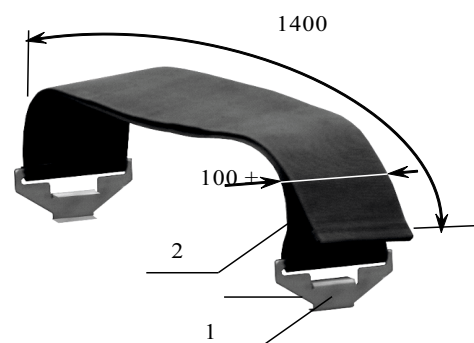
**3. Injection plate** (arm support) (Figure 3). Profiled bed 1 is made of molded urethane foam, and stainless mounting elements. It is height-adjustable and rotates around a vertical axis. Equipped with a clip and a restraint strap. The maximum permissible load is 15 kg.

**4. Patient restraint strap** (waist strap) (Figure 4). Soft synthetic strap 100 mm wide with fixing hooks, adjustable in length.



**Figure 3. Injection plate.**

1 – Bed, 2 – Restraint strap, 3 – Clip.



**Figure 4. Patient restraint strap.**

1 – Bracket, 2 – Strap.

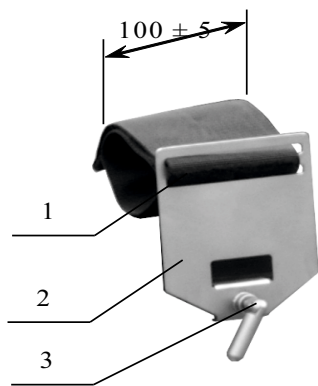
## OM-DELTA

### GENERAL SURGERY OPERATING TABLE

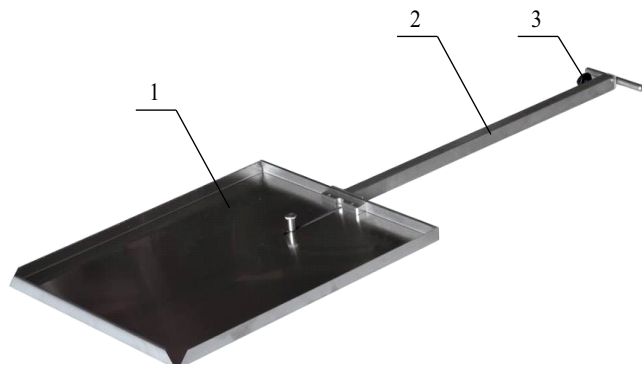
#### ACCESSORY KIT FOR GENERAL SURGERY

**5. Arm holder** (arm retainer) (Figure 5). 100 mm wide soft synthetic strap with a clamp and stainless steel fastening element to the table rail, adjustable position along the table panel.

**6. X-ray cassette holder** (Figure 6). Metal spatula with a lock and a long folding handle for insertion (installation) of the R-cassette under the X-ray-transparent table top in the longitudinal direction.



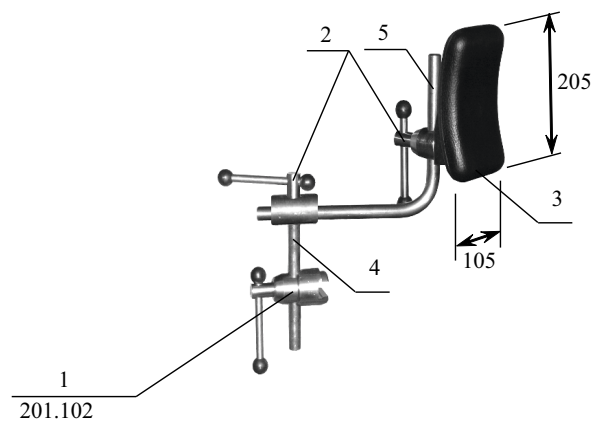
**Figure 5. Arm holder.**  
1 – Strap, 2 – Holder, 3 – Screw.



**Figure 6. X-ray cassette holder.**  
1 – Tray, 2 – Cassette holder tube, 3 – Lock.

When using the X-ray cassette holder, be careful when tilting the dorsal and leg sections. The holder can be damaged if it is in the areas where the dorsal section meets the hip section and the hip section meets the leg sections.

**7. Lateral support** (Figure 7). Profiled 105x205 (mm) molded urethane foam pad 3 with stainless Z-bar support and fasteners for mounting on the table guide rail. Complete with clamp. The position is adjusted along the table top, in height and depth, and rotates around two vertical axes of the Z-shaped support.



**Figure 7. Side support.**  
1 – Clamp, 2 – Lock, 3 – Lateral support, 4 – Support, 5 – Rod.