

OK-GAMMA MOBILE

OPERATING TABLES



- Mechano-hydraulically adjustable general surgery operating tables
- Easy to move due to antistatic double castors with a central-locking brake



Dorsal section mechanical bending (OK-GAMMA MOBILE-01)

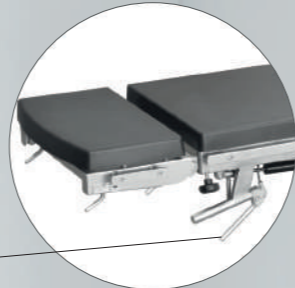
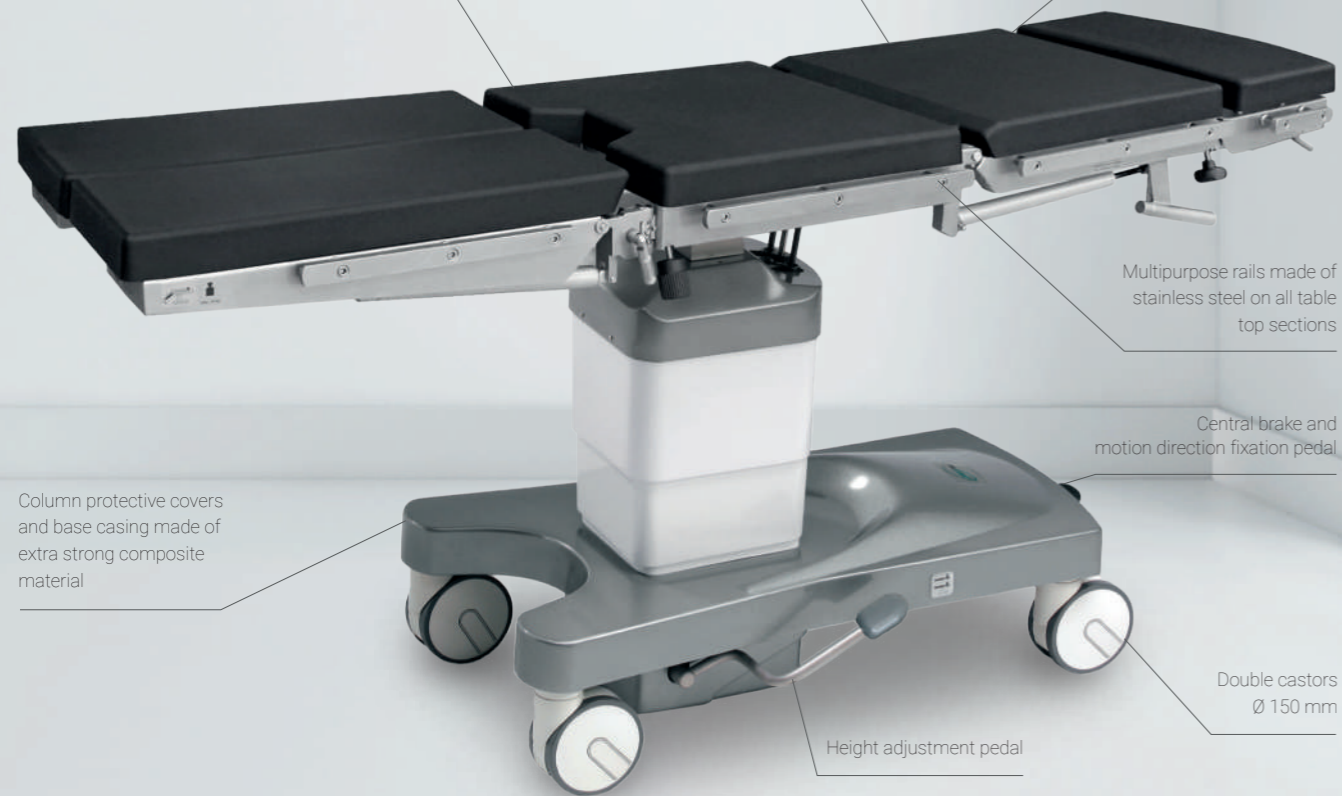


Table top tilt control

Ultrafresh
Molded polyurethane foam cushions. Made of latex-free, fire-resistant, antistatic material



Multipurpose rails made of stainless steel on all table top sections

Central brake and motion direction fixation pedal

Column protective covers and base casing made of extra strong composite material

Double castors Ø 150 mm

Height adjustment pedal



Used with the following KPP sets:

01 05 07 08 10 12 14 15 16 17 18 26 27 29 30 31 32 33 34 35 36 37 38 39 40 41 43

OK-GAMMA MOBILE

OPERATING TABLES



Functions	OK-GAMMA MOBILE 01	OK-GAMMA MOBILE 02	OK-GAMMA MOBILE 03
Table top height			
Table top lateral tilts			NO
Table top longitudinal tilts			
Dorsal section tilts			
Head section tilts			
Leg section tilts			
Dorsal section bending		NO	NO

