

MEDIN ALFA

OPERATING TABLE OU-01K



- Universal operating tables with mechano-hydraulic adjustment for all types of surgical procedures
- Ideal for the most challenging work environments

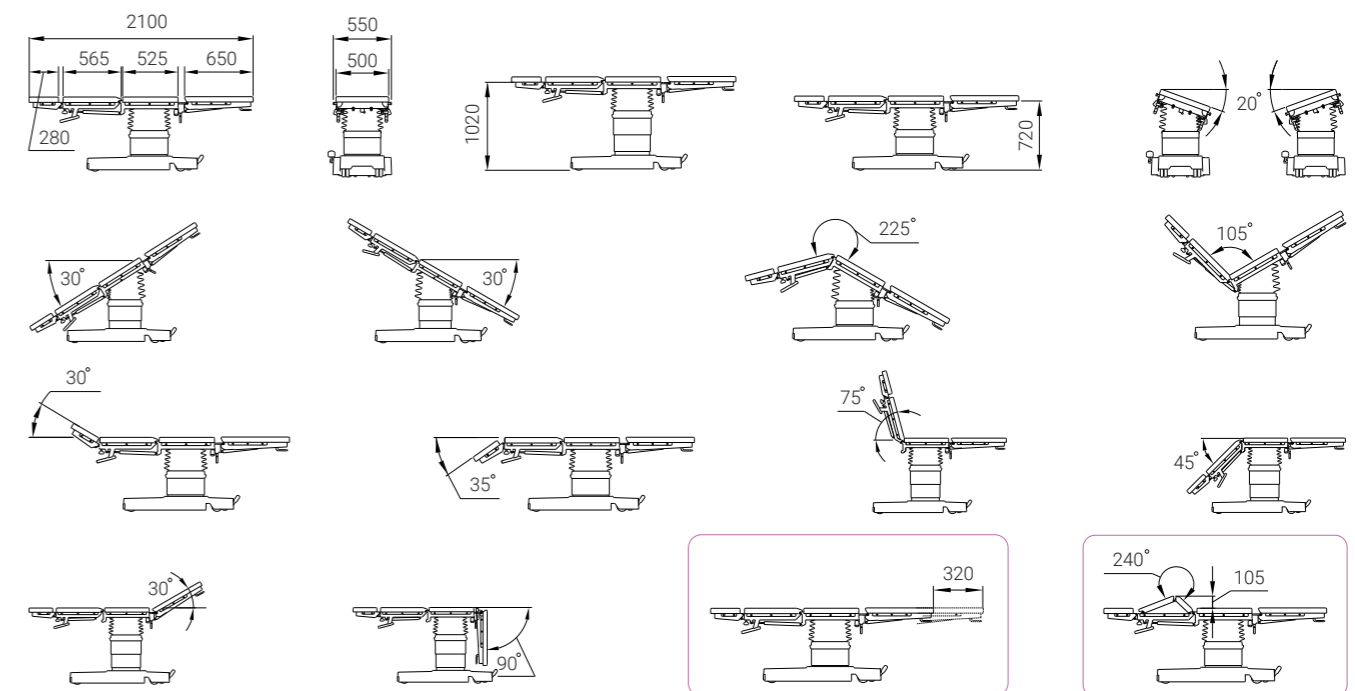


MEDIN ALFA

OPERATING TABLE OU-01K



Functions	OU-01K	OU-01K-01	OU-01K-02	OU-01K-03
Table top height				
Lateral tilts				
Table top longitudinal tilts				
Table top longitudinal shift	NO	NO		
Dorsal section tilts				
Head section tilts				
Leg section tilts				
Dorsal section bending	NO		NO	
Extensible support shift				



Used with the following KPP sets:

- 01 02 03 04 05 06 07 08 09 10 11 12 13 14 15 16 17 18 26 27 28 29 30 31 32 33 34 35 36 37 38 39 40 41 42 43