

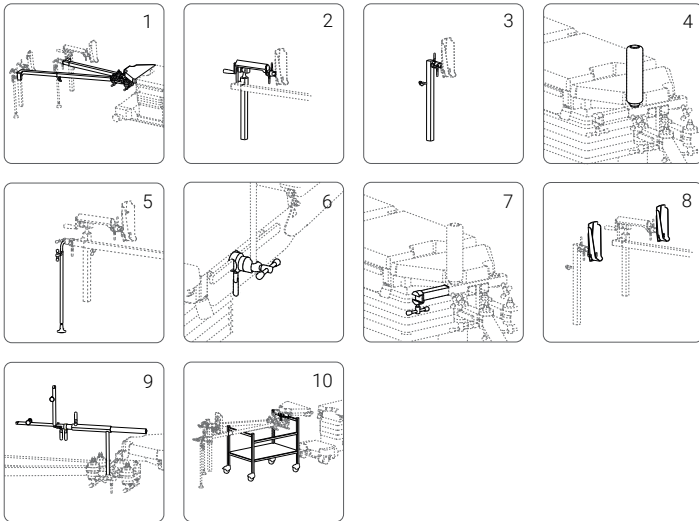
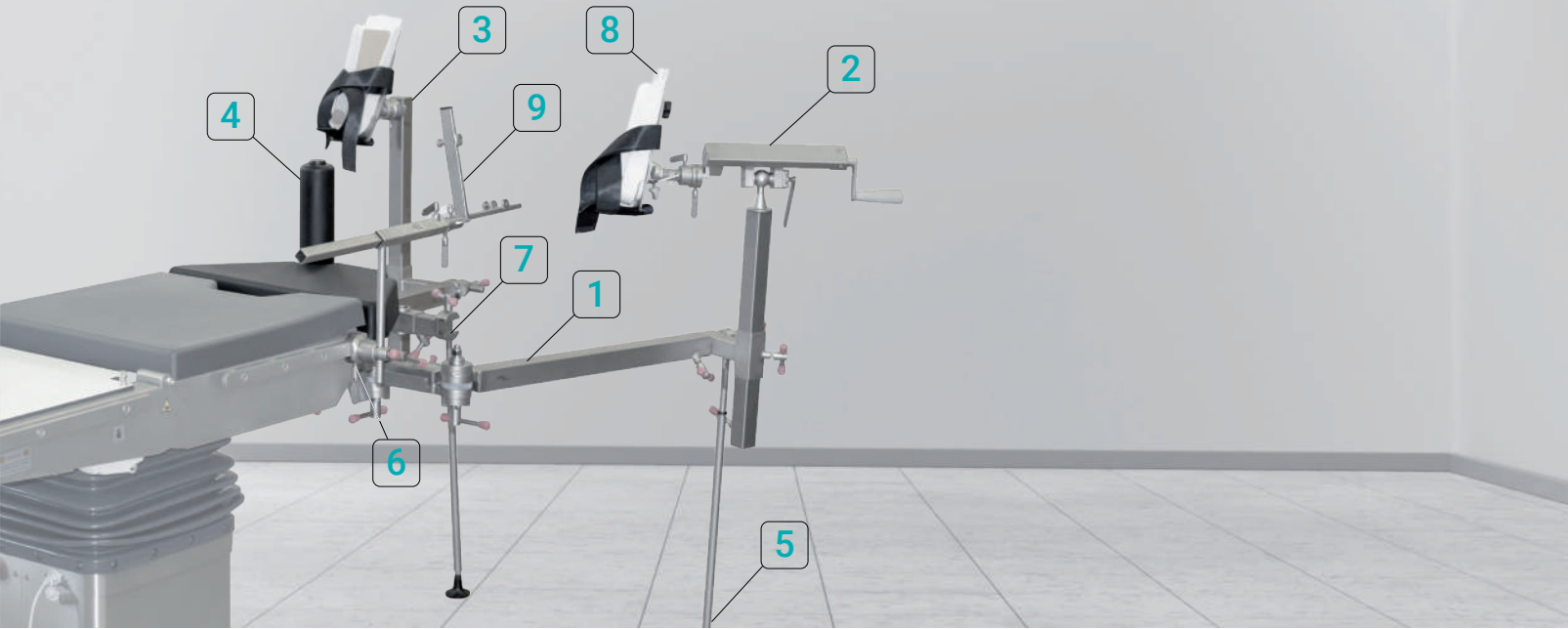


KPP-02

SET OF ADDITIONAL ACCESSORIES FOR ORTHOPEDICS AND TRAUMATOLOGY SURGERIES ON LOWER LIMBS



LEARN MORE



KPP-02 set includes the following:

1. Orthopedic section	1 pc.
2. Traction mechanism	1 pc.
3. Ordinary supporting leg	1 pc.
4. Retainer rod	1 pc.
5. Telescopic section support	2 pcs.
6. Radial serrated clamp	3 pcs.
7. Leg section support	1 pc.
8. Surgical boots	1 pair.
9. X-ray cassette holder	1 pc.
10. Trolley	1 pc.

