

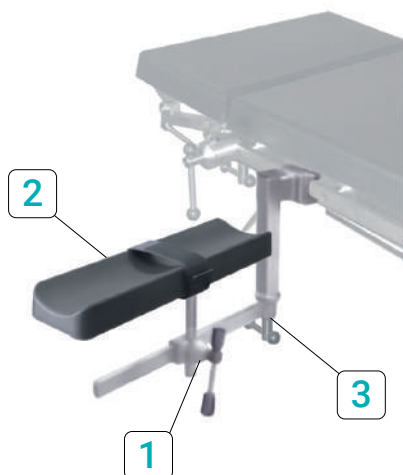


KPP-16

SET OF ADDITIONAL ACCESSORIES FOR SURGERIES REQUIRING BODY EXTREMITIES POSITIONING (LOWER POSITIONING OF ARM)



LEARN MORE



KPP-16 set includes the following:

- | | |
|--------------------------|-------|
| 1. Radial serrated clamp | 1 pc. |
| 2. Arm rest | 1 pc. |
| 3. Support bracket | 1 pc. |

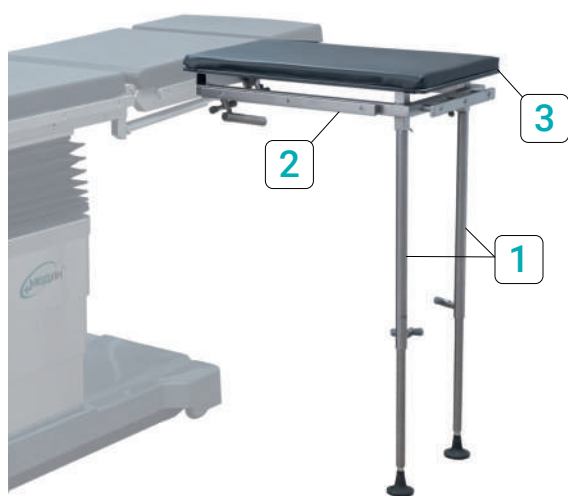


KPP-17

SET OF ADDITIONAL ACCESSORIES FOR SURGERIES REQUIRING BODY EXTREMITIES POSITIONING (LATERAL POSITIONING OF ARM)



LEARN MORE



KPP-17 set includes the following:

- | | |
|--------------------------------------|--------|
| 1. Supporting leg with sliding block | 2 pcs. |
| 2. Frame with ball joint | 1 pc. |
| 3. Pad | 1 pc. |